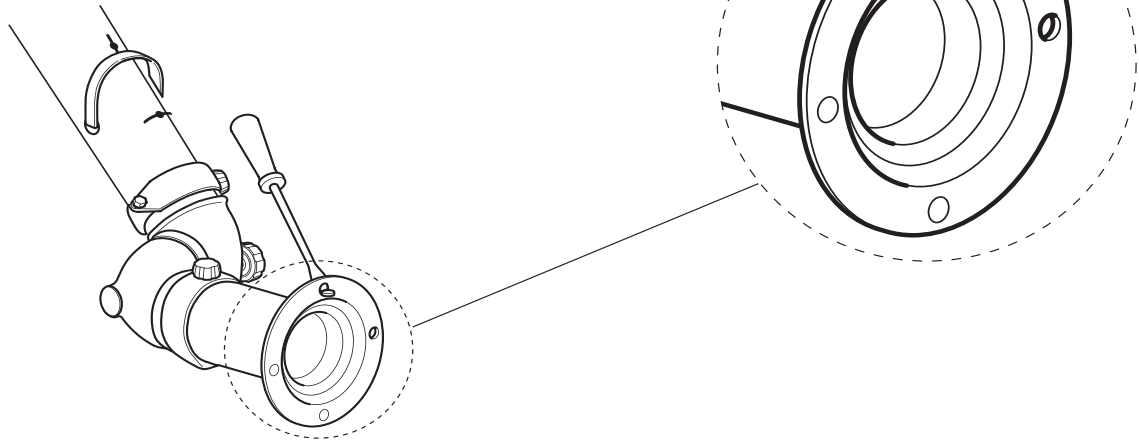


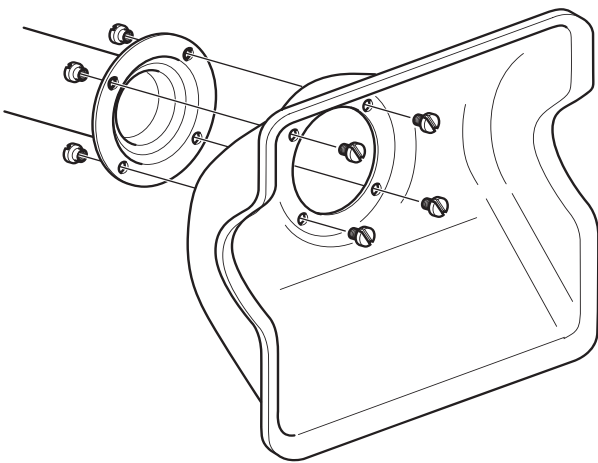
## Mounting instruction – Additional hoods for FX<sub>2</sub> arms

**1** Knock-out  
holes (x4)

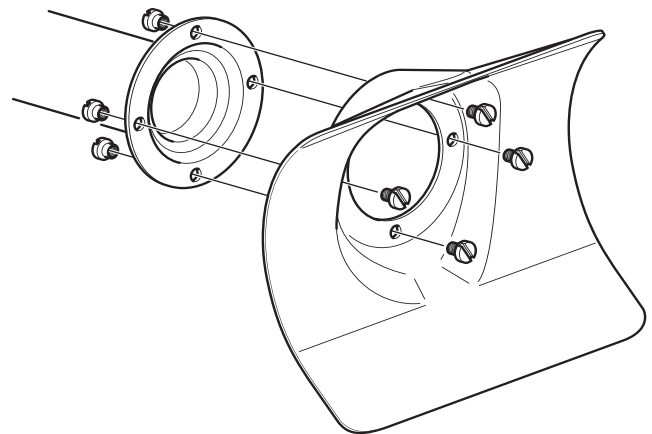


**2** Mount the hood  
with 4 screws/bolts

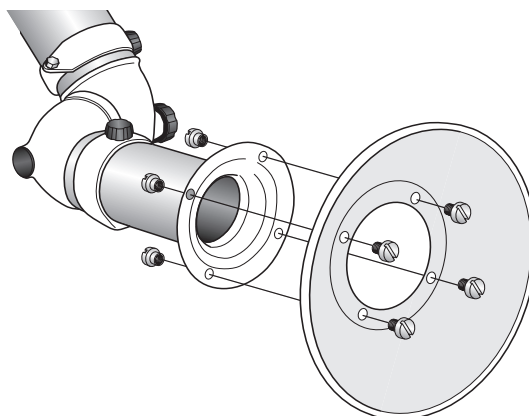
**Combi Hood**



**Flange Hood**



**Metal and Dome Hood**



## Mounting instruction – Additional hoods for FX<sub>2</sub> arms

